

# WRA480 SERIES

3PH AC - DC DIN RAIL MOUNTABLE POWER SUPPLY  
INDUSTRIAL CONTROL EQUIPMENT



## FEATURES

- 3 PHASE AC INPUT VOLTAGE
- COMPACT DESIGN
- PARALLEL FUNCTION AVAILABLE (SWITCH)
- UNIVERSAL INPUT VOLTAGE



## SELECTION CHART

### WRA 480 - 24

Wattage

24 : 24V OUT  
 48 : 48V OUT

## MODEL LIST

MODEL NO.	INPUT VOLTAGE	OUTPUT WATTAGE	OUTPUT VOLTAGE	OUTPUT CURRENT	EFF. (min.)	EFF. (typ.)
<b>Single Output Models</b>						
WRA480-24	3 $\phi$ 340~575 VAC	480 WATTS	+ 24 VDC	20 A	88%	90%
WRA480-48	3 $\phi$ 340~575 VAC	480 WATTS	+ 48 VDC	10 A	89%	91%

## SPECIFICATION

All Specifications Typical At Nominal Line, Full Load, 25°C Unless Otherwise Noticed

GENERAL						
Characteristics	Conditions		min.	typ.	max.	unit
Switching frequency	Vi nom, Io nom			80		KHz
Isolation voltage	Input-Output		3000 / 4242			VAC / VDC
	Input-FG		1500 / 2121			VAC / VDC
Isolation resistance	Input-Output, @ 500VDC		100			M $\Omega$
Ambient temperature	Operating at Vi nom		-30		+ 71	°C
Derating (see derating curve)	Vi nom, from +61 to +71°C				2.5	% / °C
Storage temperature	Non operational		-40		+ 85	°C
Relative humidity	Vi nom, Io nom		20		95	% RH
Temperature coefficient	Vi nom, Io min				± 0.03	% / °C
MTBF	Bellcore Issue 6 @40°C, GB	24V model		41 1000		Hours
		48V model		423000		Hours
Altitude during operation	IEC 60068-2-13				4850	m
Dimension	Screw terminal type		L124 x W150 x D118.8			mm
Cooling	Free air convection					
Pollution degree			2			

INPUT SPECIFICATIONS						
Characteristics	Conditions		min.	typ.	max.	unit
Nominal voltage *1			1 $\phi$ or 3 $\phi$ 380 / 480 VAC			
Rated input voltage	Io nom		400		500	VAC
Absolute input max. range	Ta min ... Ta max, Io nom	AC in	340		575	VAC
		DC in	480		820	VDC
Input current	Vi : 400 / 500 VAC, Io nom			1.1 / 0.93		A
Rated input current	Vi : 340 VAC, Io nom				1.4	A
Line frequency	Vi nom, Io nom		47		63	Hz

\*1. Single phase input is permissible, but output load is derated to 75%

[www.chinfa.com](http://www.chinfa.com)

[sales@chinfa.com](mailto:sales@chinfa.com)

2010.05.21



CHINFA ELECTRONICS IND. CO., LTD.  
ISO 9001 Certified

PI

## SPECIFICATION

All Specifications Typical At Nominal Line, Full Load, 25°C Unless Otherwise Noticed

### INPUT SPECIFICATIONS

Characteristics	Conditions	min.	typ.	max.	unit
Inrush current	Vi nom, lo nom		20	25	A
Power dissipation	Vi : 400 VAC, lo nom	24V model	58		W
		48V model	55		W
Leakage current	Input-Output			0.25	mA
	Input-FG			3.5	mA
P.F.C. (Passive)	Vi nom, lo nom		0.65		

### OUTPUT SPECIFICATIONS

Characteristics	Conditions	min.	typ.	max.	unit
Output voltage accuracy (Adjusted before shipment)	Vi nom, lo max	0		+ 1	%
Minimum load	Vi nom	0			%
Line regulation	lo nom, Vi min ...Vi max			± 1	%
Load regulation	Vi nom, lo min ...lo nom	single mode		± 1	%
		parallel mode		± 5	%
Voltage trim range	Vi nom, 0.8 lo nom	24V model	22.5	28.5	VDC
		48V model	47	56	VDC
Rated continuous loading	Vi nom	24V model	20 A @ 24Vdc / 16.8 A @ 28.5Vdc		
		48V model	10 A @ 48Vdc / 8.5 A @ 56Vdc		
Hold up time	Vi nom, lo nom	20			ms
Turn on time	Vi nom, lo nom			1000	ms
	Vi nom, lo nom → with 7000 μF CAP			1500	ms
Rise time	Vi nom, lo nom			150	ms
	Vi nom, lo nom → with 7000 μF CAP			500	ms
Fall time	Vi nom, lo nom			150	ms
Transient recovery time	Vi nom, 1~0.5 lo nom			2	ms
Ripple & noise	Vi nom, lo nom, BW = 20MHz			100	mV
Power back immunity	Vi nom, lo nom	24V model	35		VDC
		48V model	63		VDC
Capacitor load	Vi nom, lo nom			7000	μF
DC ON indicator threshold at start up (Green LED)	Vi nom, lo nom	24V model	17.6	19.4	VDC
		48V model	37	43	VDC
DC LOW indicator threshold after start up (Red LED)	Vi nom, lo nom	24V model	17.6	19.4	VDC
		48V model	37	43	VDC
Parallel operation	0.1 lo min ~ 0.9 lo max			2	unit
Efficiency	Vi nom, lo nom, Po / Pi		Up to 91%, See model list and typ efficiency curve		

### CONTROL AND PROTECTION

Characteristics	Conditions	min.	typ.	max.	unit
Input fuse		T3.15 A / 500 VAC internal / phase			
Internal surge voltage protection	IEC 61000-4-5	Varistor			
Rated over load protection	Vi nom (see typ current limited curve)	110		135	%
Power Rdy (for 24V model only)	Threshold voltage of contact closed(at start up)	17.6		19.4	VDC
	Electrical isolation	500			VDC
Over voltage protection	Vi nom, lo nom (Auto Recovery)	24V model	30	33	VDC
		48V model	60	68	VDC
Output short circuit		Continuous	Fold forward		
		Discontinuous	Delay 3S shut-down. After 30S Auto-restart		
Over temperature	Detect on heat sink, shut down O/P voltage, recovers automatically after temperature goes down.	100		110	°C
Degree of protection		IP20			

## SPECIFICATION

All Specifications Typical At Nominal Line, Full Load, 25°C Unless Otherwise Noticed

### APPROVALS AND STANDARDS

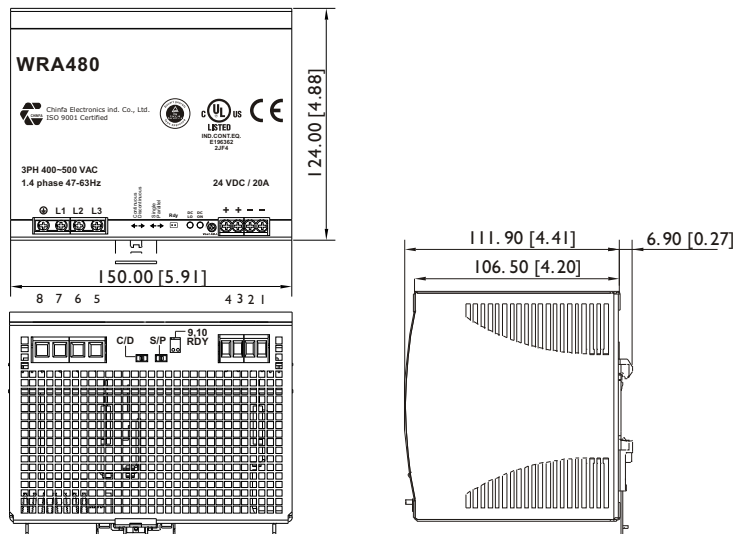
UL / cUL	UL 508 Listed UL 60950-1 Recognized ISA 12.12.01(Class I, Division 2, Groups A, B, C and D)
TUV	EN 60950-1, CB scheme EN 61558-1, EN 61558-2-17 (meet EN 60204-1)
CE	EN 61000-6-3, EN 55022 class B, EN 61000-3-2, EN 61000-3-3 EN 61000-6-2, EN 55024, EN 61000-4-2 Level 4, EN 61000-4-3 Level 3 EN 61000-4-4 Level 4, EN 61000-4-5 L-N Level 3, L / N-FG Level 4 EN 61000-4-6 Level 3, EN 61000-4-8 Level 4, EN 61000-4-11 ENV 50204 Level 2, EN 61204-3
CQC	GB4943, GB9254, GB17625.1
Vibration resistance	meet IEC 60068-2-6 (Mounting by rail : 10-500 Hz, 2G, along X, Y, Z each Axis, 60 min for each Axis )
Shock resistance	meet IEC 60068-2-27 (15G, 11ms, 3 Axis, 6 Faces, 3 times for each Face)

### PHYSICAL CHARACTERISTICS

Case size	Screw terminal type 124 x 150 x 118.8 mm (4.88 x 5.91 x 4.68 inches)
Case material	Metal
Weight	1720g
Packing	2kg ; 8pcs / 17.5kg / 2.17CUFT

### MECHANISM & PIN CONFIGURATION

mm [inch]



#### CONSTRUCTION

Easy snap-on mounting onto the DIN-Rail (TS35/7.5 or TS35/15), unit sits safely and firmly on the rail.

#### INSTALLATION

Ventilation / Cooling  
Normal convection  
All sides 25mm free space  
For cooling recommended  
Connector size range  
AWG24-10 (0.2~4mm<sup>2</sup>) flexible / solid cable,  
-Input connector can withstand torque at maximum 9 pound-inches.  
-Output connector can withstand torque at maximum 5.5 pound-inches.  
8 m/m stripping at cable end recommends  
Use copper conductors only, 60 / 75°C

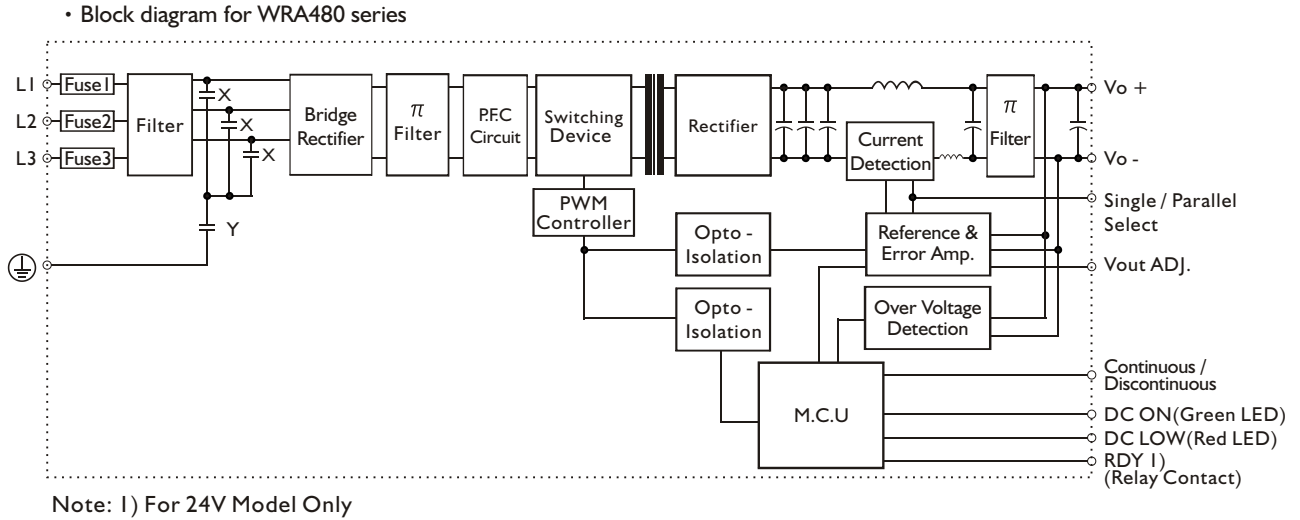
#### GENERAL TOLERANCE

0.00[0.00] - 30.00[1.18]	±0.30[0.01]
30.00[1.18] - 120.00[4.72]	±0.50[0.02]
120.00[4.72] - 400.00[15.75]	±0.80[0.03]

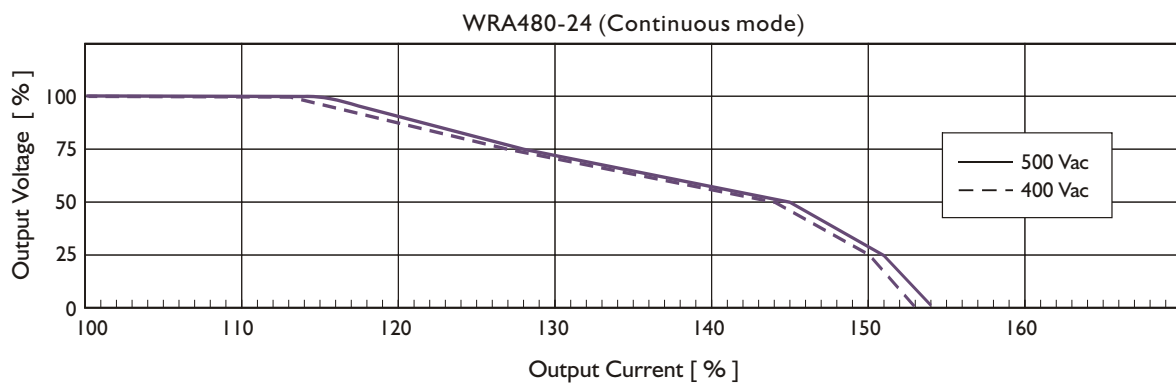
### PIN ASSIGNMENT

PIN NO.		Designation	Description
1, 2	OUT	V -	Negative output terminal
3, 4		V +	Positive output terminal
5		L3	Input terminals
6	IN	L2	Input terminals
7		L1	Input terminals
8		⊕	Ground this terminal to minimize high-frequency emissions
9	OUT	RDY	A normal open relay contact for DC ON level control (Never connect except 24V model)
10		DC ON	Operation indicator LED
	OTHER	DC LO	DC LOW voltage indicator LED
		Vout ADJ.	Trimmer-potentiometer for Vout adjustment
		S / P	Single / Parallel select switch
		C / D	Continuous / Discontinuous

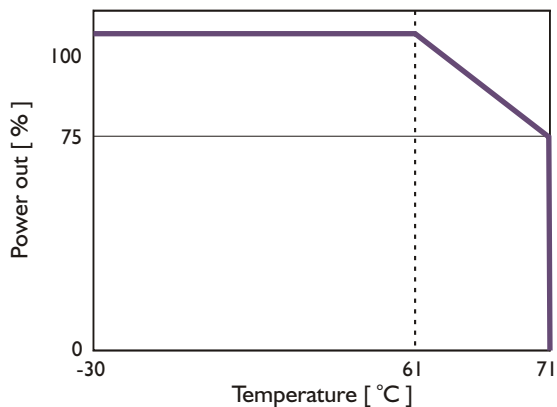
## CIRCUIT SCHEMATIC



## TYP. CURRENT LIMITED CURVE



## DERATING CURVE



## TYP. EFFICIENCY CURVE

